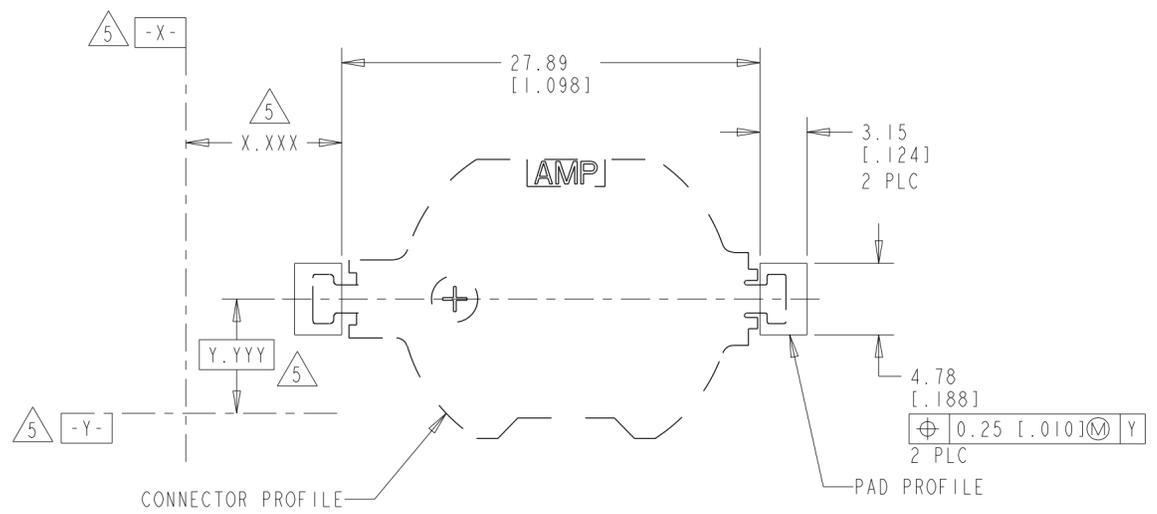
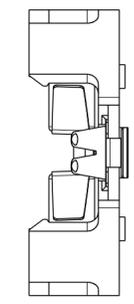
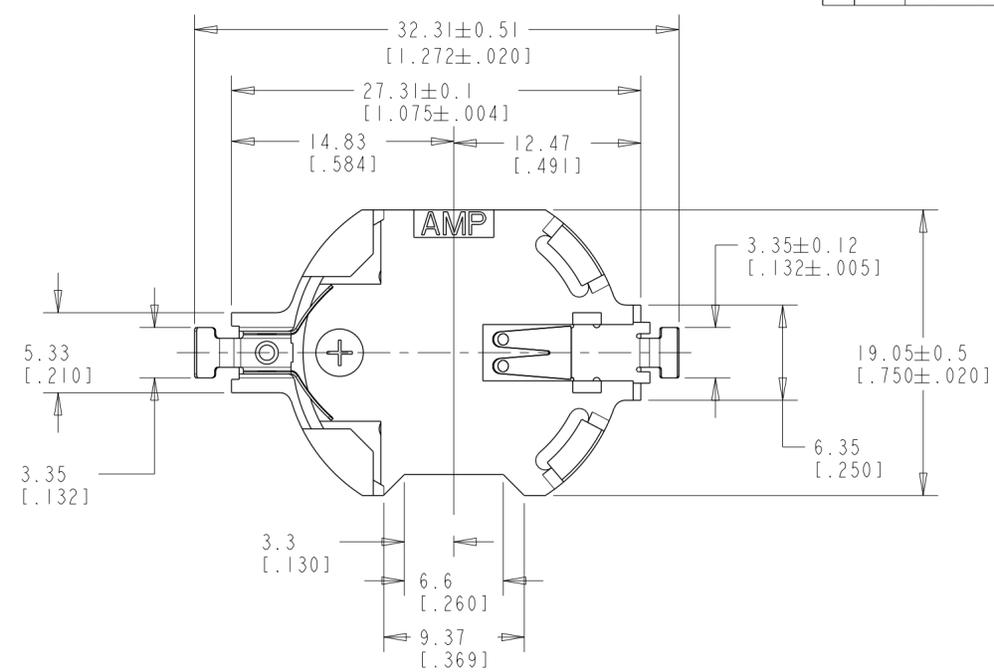
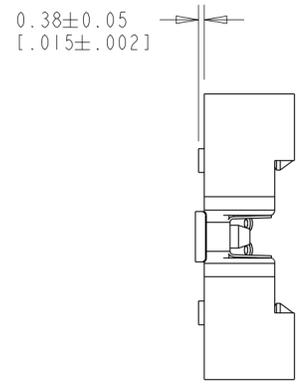


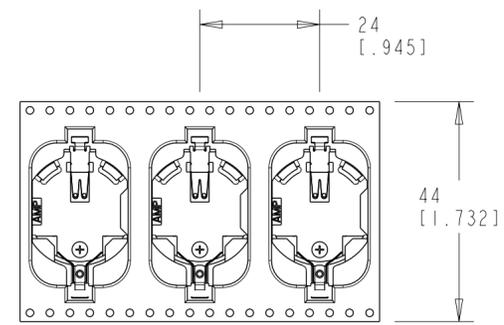
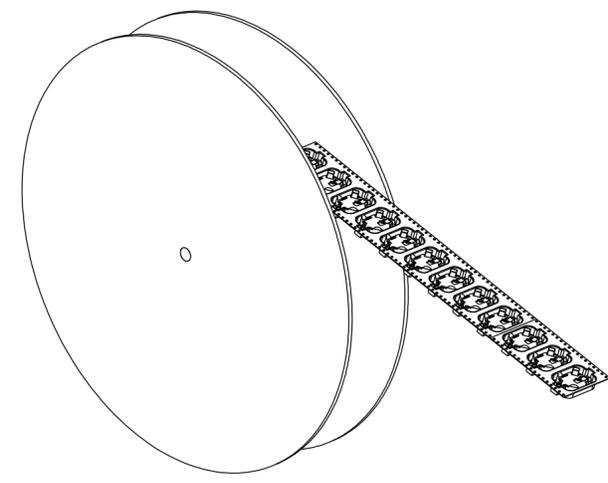
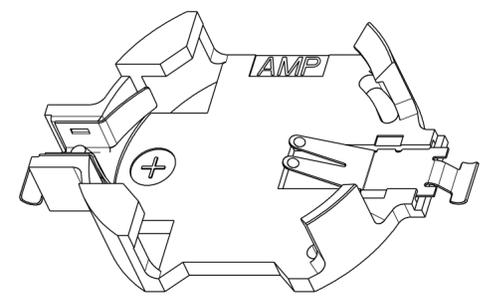
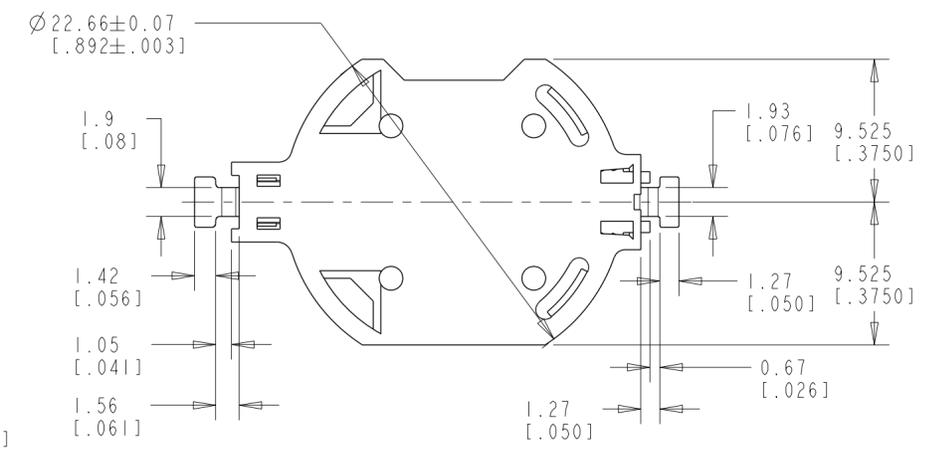
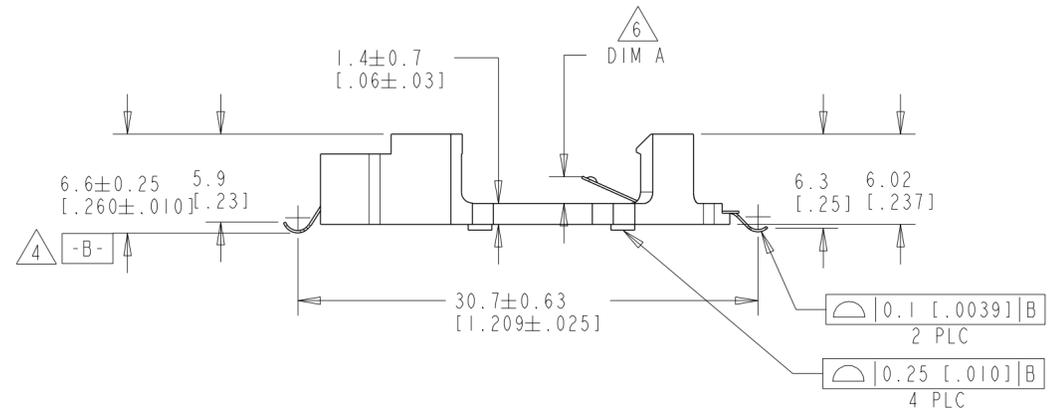
THIS DRAWING IS UNPUBLISHED. RELEASED FOR PUBLICATION
 © COPYRIGHT 19 BY TYCO ELECTRONICS CORPORATION. ALL RIGHTS RESERVED.

LOC		DIST		REVISIONS			
P	LTR	DESCRIPTION	DATE	DWN	APVD		
AD	00						
	D3	REVISED PER EC ECR-13-020006	26DEC13	E.L	WK.H		

- 1 HOUSING: HIGH TEMPERATURE 94V-0 RATED GLASS FILLED NYLON, COLOR NATURAL.
CONTACTS: PHOSPHOR BRONZE.
- 2 CONTACTS: 0.0200-0.0004[.000080-.000157] TIN.
- 3. CONNECTOR ACCEPTS BATTERY CR2032.
- 4 DATUM **-B-** IS ESTABLISHED BY ANY CONTACT OR HOUSING SURFACES CONTACTING A REFERENCE PLANE.
- 5 DATUMS AND DIMENSIONS ESTABLISHED BY CUSTOMER.
- 6 THE DIMENSION "DIM A "AS BELOW:
INITIAL: $1.78^{+0.30}_{-0.30}$; AFTER DURABILITY: $1.78^{+0.30}_{-0.78}$
[0.070^{+0.012}_{-0.012}] [0.070^{+0.012}_{-0.031}]



RECOMMENDED PC BOARD LAYOUT (TOP VIEW)



DIRECTION OF FEED OFF TOP OF REEL

THIS DRAWING IS A CONTROLLED DOCUMENT FOR TYCO ELECTRONICS CORPORATION. IT IS SUBJECT TO CHANGE AND THE CONTROLLING ENGINEERING ORGANIZATION SHOULD BE CONTACTED FOR THE LATEST REVISION.		DWN	J. GERACE	13AUG99	AMP AMP Incorporated Harrisburg, PA 17105-3608								
DIMENSIONS: mm [INCHES]		CHK	K. BENJAMIN	13AUG99									
TOLERANCES UNLESS OTHERWISE SPECIFIED:		APVD	K. BENJAMIN	13AUG99									
0 PLC ± 1 PLC ±0.5 [.02] 2 PLC ±0.30 [.012] 3 PLC ±0.20 [.0078] 4 PLC ± ANGLES ±5 FINISH		PRODUCT SPEC	ASSEMBLY BATTERY CONNECTOR, SURFACE MOUNT, TOP LOAD										
MATERIAL	1	APPLICATION SPEC	-		SIZE	A2	CAGE CODE	00779	DRAWING NO	C-796136	RESTRICTED TO	-	
CUSTOMER DRAWING		WEIGHT	-		SCALE	3:1		SHEET	1	OF	1	REV	D3

796136

796136-1
PART NUMBER